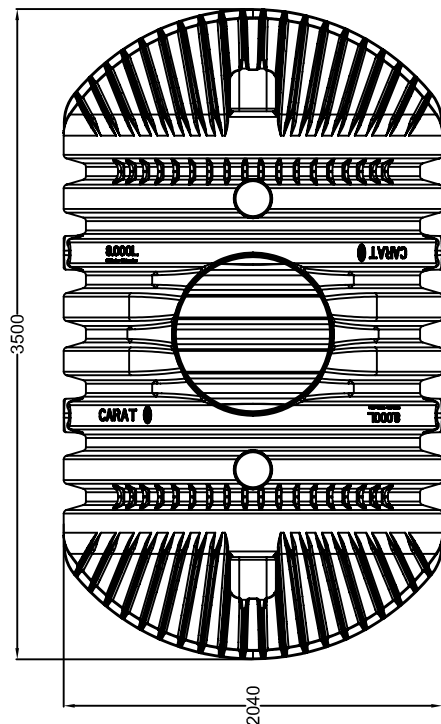
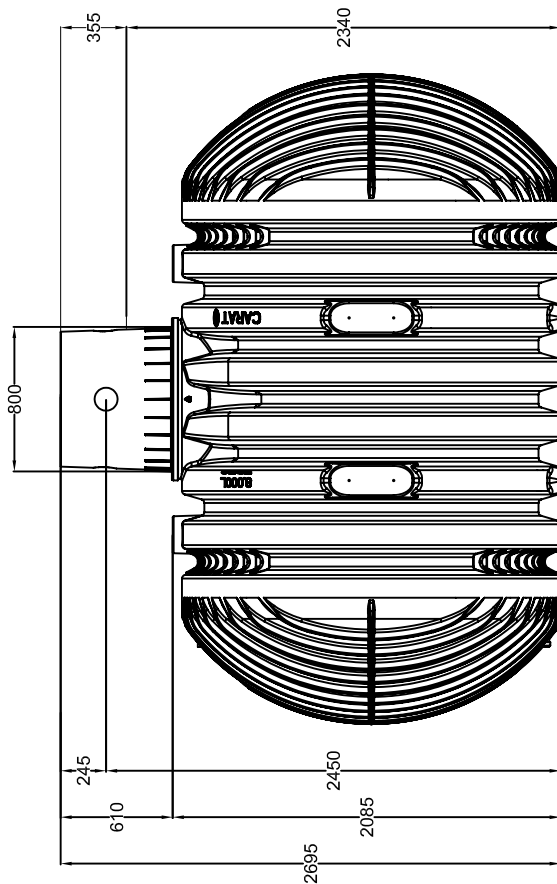
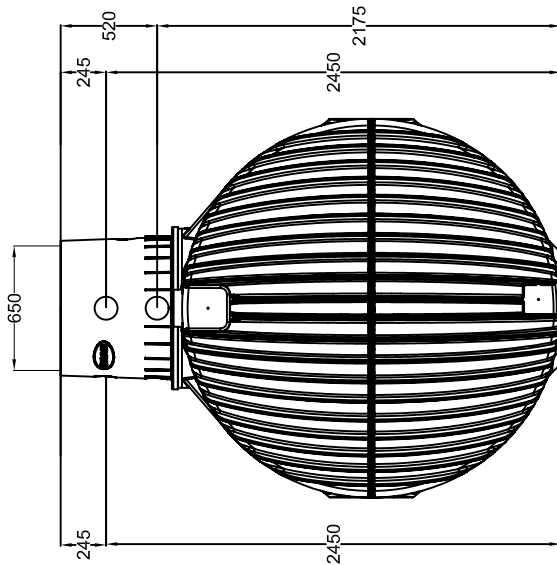




Rainwater underground tank
Carat XL - 8500 Liter

Order no.

370005



all dimensions +/- 3 % tolerance

Otto Graf GmbH
Kunststoffzeugnisse
79331 Teningen

Carl-Zeiss-Str. 2-6
Telefon 07641/589-0
Telefax 07641/589-50
E-Mail: info@graf.info
www.graf.info

Weight

Approx. 380 kg

Date

Edition 11/09

Name

Sheet 1 von 1